

S Electric Tab-Tension Floor Screen Obsidian Long Throw ALR screen material



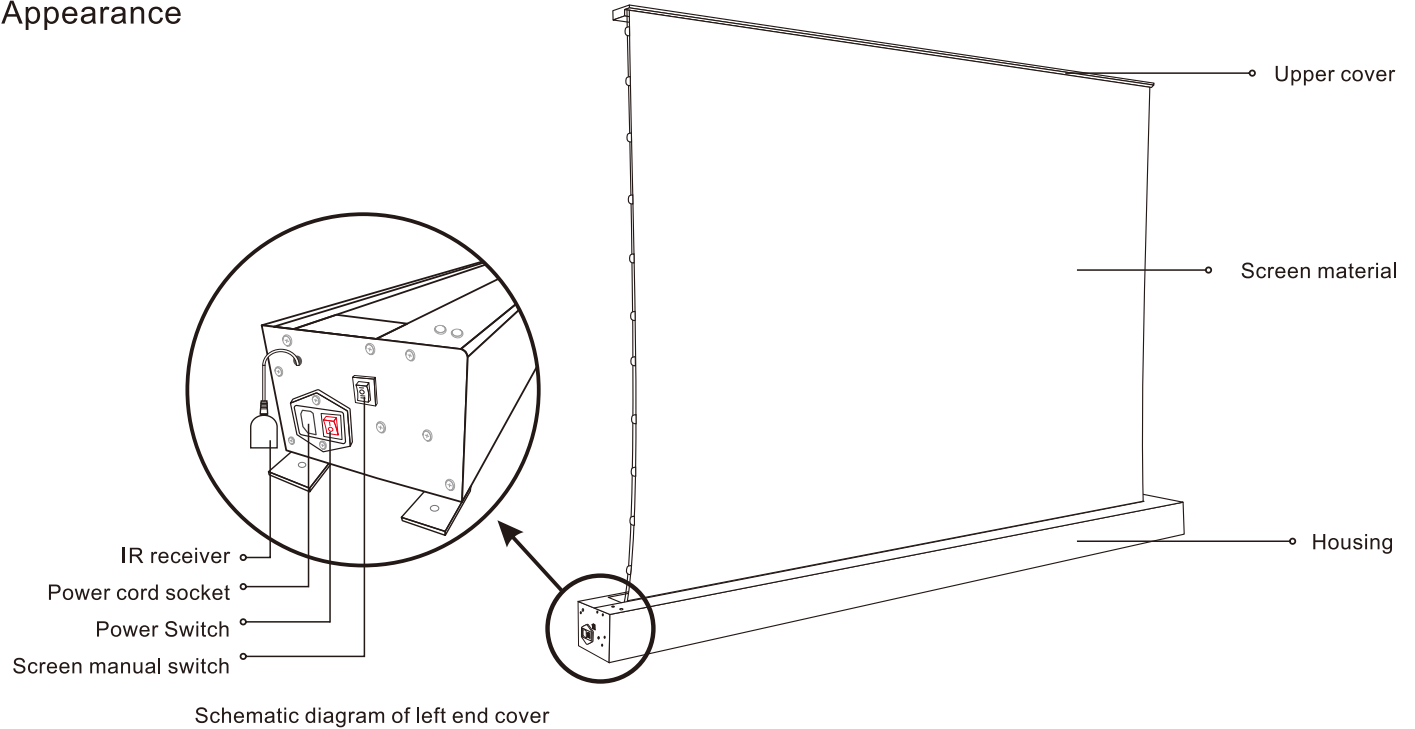
Content

The Introduction of Product	2
Appearance	2
Accessories List	3
Important safety precautions	4
Matters Needing Attention	5
Precautions for Use	7
Matters Concerning Projection	8
Projected Area	8
About Screen Performance	9
Installation Warning	10
Before pre installation	10
Hardware Parts List	10
Ground Installation	11
Wall Installation	12

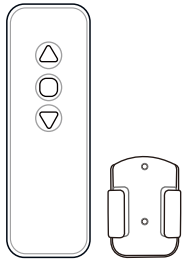
Screen Running	13
Manual Switch	14
Remote control	15
Wireless USB projector trigger(Gift)	17
Screen hight limit setting	18
Black border down (Lower the fixed height of the screen)	18
Black border up (Raise the fixed height of the screen)	20
Screen maintenance	22
Manufacturer's warranty	23
Certificate	24
Product Warranty Card	24

The Introduction of Product

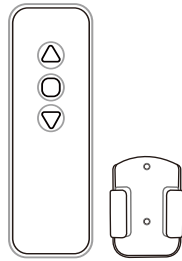
Appearance



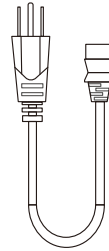
Accessories list



IR
remote control



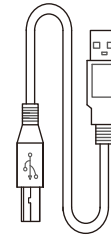
RF
remote control



Power cord

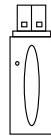


Adjust Rod
(hexagon)



USB charging cable

Gifts



Wireless projector trigger
based on USB interface

**This accessory is a free
gift and is not covered by
the warranty.**

Important Safety Precautions

Please read all the contents of the user guide carefully and follow the operation steps below.

For reference when necessary, please keep this user guide.

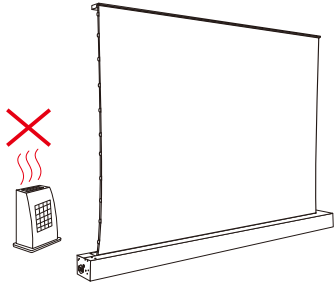
1. In order to avoid damage to the equipment, please prohibit the use of any accessories not authorized by the manufacturer.
2. Be sure to handle the products carefully during transportation, so as to prevent product damage caused by collision.
3. In order to ensure the personal safety of the user and realize the reliable operation of the equipment, please make sure to use the power cord provided by the equipment to connect the power supply for charging.
4. Please place the device close to the power socket to connect the power supply for charging.
5. You need to place the product properly. Please do not place any heavy objects on the power cord and screen to avoid danger or operation obstacles.
6. In order to avoid electric shock, short circuit or fire caused by loose plug, please use the power cord correctly.
7. Since this product is equipped with a V-spring support system with strong tension, removing the screen without permission will bring certain risks. Please do not disassemble the screen by yourself. In case of machine failure caused by your improper operation, the seller and the manufacturer have the right not to be responsible for replace the product. In case of personal injury, no liability shall be assumed.
8. The tubular motor on the electric screen of this product has a temperature control sensor with overheating protection mechanism. If the screen runs up and down continuously for 3-4 minutes, the motor will stop automatically in order to prevent the motor from being damaged due to overheating. If the motor stops operation due to the start of overheat protection mechanism, please turn off the power and wait for 30 minutes to 2 hours until the motor cools down.

Matters Needing Attention

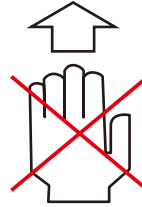
- ⚠ Warning! If you do not strictly follow the prescribed precautions during use, this may lead to equipment damage and other unnecessary damage.**
- ⚠ Please observe the family fire safety regulations; do not place the equipment near the fireplace or high temperature objects such as gas stove, barbecue or heater to avoid equipment damage.**
- ⚠ Please keep this product out of the reach of children.**
- ⚠ Please do not put any sundries inside of the cover to avoid damage to the equipment.**

The seller and the manufacturer are not responsible for any damage to the equipment caused thereby.

Before the screen turns off, please make sure there is no debris in the cover.



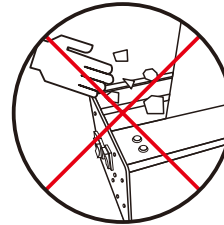
Do not place the equipment near the fireplace or high temperature objects such as gas stove, barbecue or heater



Do not put your hands into the cover of the product



Keep children away from the product



**Do not put any sundries inside of the cover ;
Before the screen turns off, please make sure there is no debris in the cover**

Precautions for Use

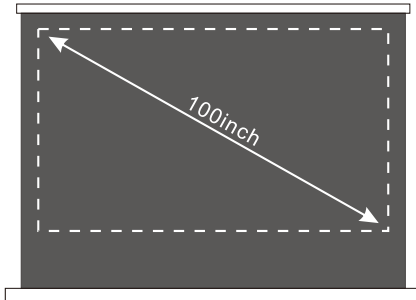
No one is allowed to open the inside of the equipment and repair the product without authorization, except for the authorized technicians.

1. Please make sure that the power supply connected to this product has stable current.
2. If you need to use the extension cord for this product, please make sure that the power cord rating of the extension cord is the same as that of this product, so as to avoid equipment damage due to overheating.
3. When your hands and feet are in contact with water, do not operate the power plug in this case.
4. When you encounter heavy rain, wind, thunder or lightning in the process of using this product, please be sure to disconnect the power line.
5. The curtain of this product should not be placed in direct sunlight, rain and humid environment.
6. In order to prevent the product from overheating, keep away from fire source and high temperature equipment when using this product. At the same time, the power supply of this product should be cut off before transportation or maintenance.
7. Like any other household appliances, when this product is not used for a long time, please completely disconnect the power supply to ensure safety.
8. If there is any obvious damage to any parts of the product, in order to avoid any injury and electric shock, please do not continue to use.
9. When installing in the residential and commercial buildings, users should provide reasonable protection for the products to prevent the radiated RF energy from interfering with the operation of the products. However, there is no guarantee that the product will not be disturbed in special installation.

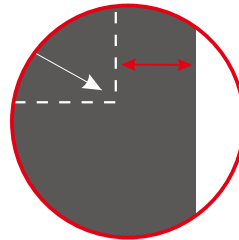
Matters Concerning Projection

Projected Area

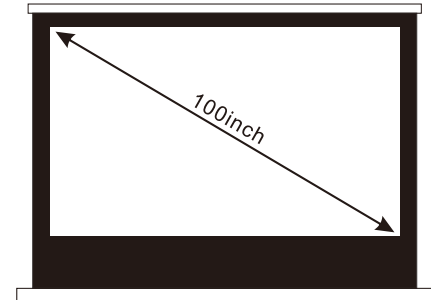
1. Please project according to the actual projection size of the screen purchased when using the projector.
2. Since the position of black border has been preset on the screen of this product, please do not exceed the specified projected area during projection. You should note that the default black border is not the projection area.



Brand-new product design:
Screen without black border, black
border size has been preset



Black border has been preset

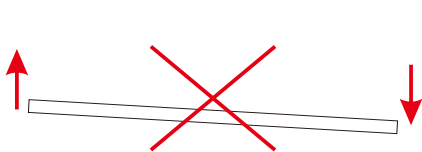


Classic product design:
Screen with black border

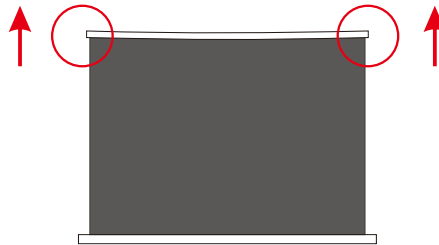


About Screen Performance

1. Please note that when placing this product, please make sure that the product is always in a horizontal state. Do not place the screen in an inclined or vertical position.
2. After using for a period of time, if the cover on both ends of the screen is slightly tilted, there is no need to worry. This is a normal phenomenon and does not affect the viewing and use. In addition, due to the cover warping, there is a gap between the screen and the housing case after closing, which is also a normal phenomenon.

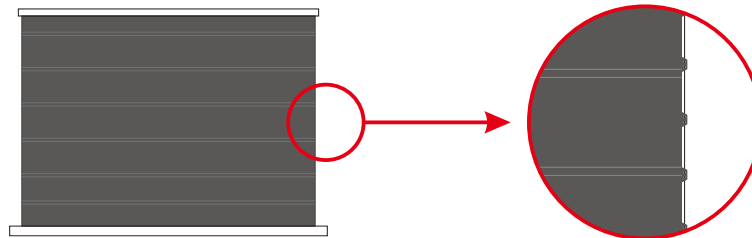


Please make sure the product is placed horizontally



There was a slight tilt after the screen was closed

3. If there are regular creases on the screen surface after the screen is opened, don't worry. This is a normal phenomenon. It is caused by the screen being curled and tightened for a long time, which does not affect the user's viewing. After opening the screen for a period of time, you will notice that the stripes on the screen will gradually disappear.



Installation Warning

Since the installation environment of each user is different, the instructions in this user guide are only for reference. If you need further installation and safety suggestions, please consult the professional installation company. It should be noted that no matter what kind of installation method you take, the product should not be loosened or dropped due to vibration or tension, so as to keep the product stable. The installation personnel of the product must ensure that the bracket accessories used have sufficient strength to support the product and select the appropriate installation position.

Before pre installation

1. When you open the package, please carefully open the screen package to avoid the product from rubbing or falling.
2. Please always place the screen in a horizontal position. Do not install the product on an uneven or inclined surface.
3. Please keep the screen away from dust, sawdust and liquid to protect the screen from contamination.

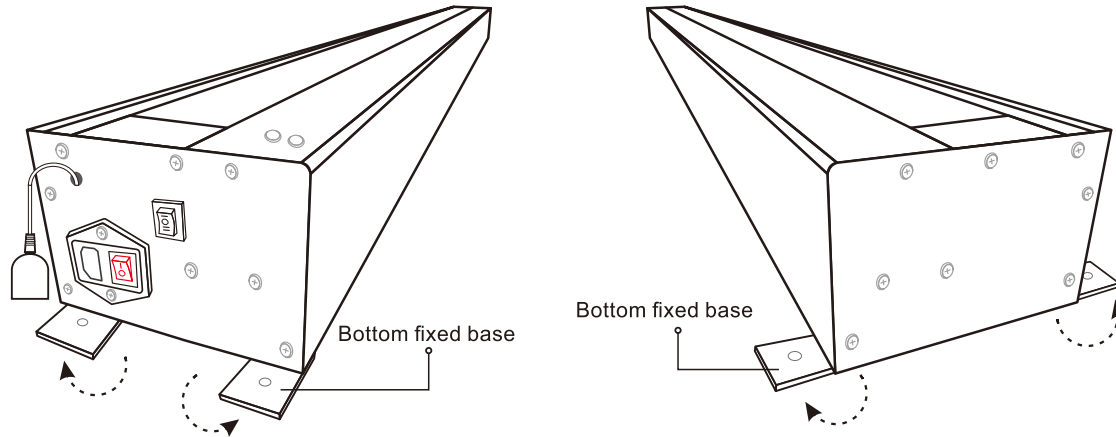
Hardware Parts List

Before you install the product, make sure that all parts of the product are included. Please note that the wall screws supplied with this product may not be suitable for all mounting surfaces. Please consult the professional installation personnel or hardware store to get the correct installation screws and anchors.

Ground Installation

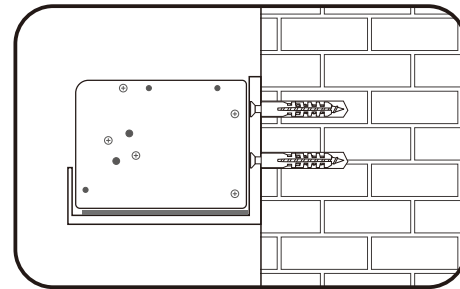
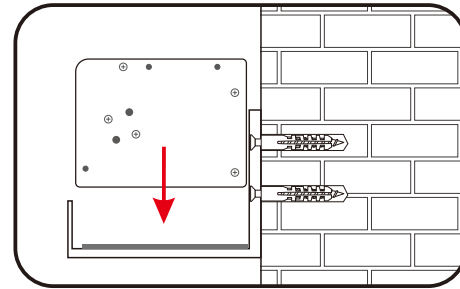
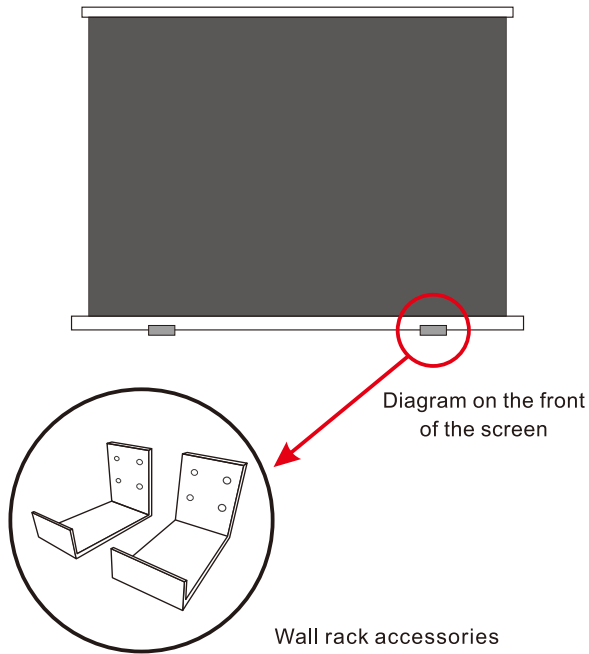
Safety tips: it is recommended that two people lift the product and place it horizontally.

1. When using this product, you can place the product on the horizontal ground and fix it. Before placing the product, please pay attention to cleaning the ground debris to keep the floor dry.
2. When using and rotate the four bottom supports, rotate the four bottom supports, one of which can be selected to fix the bracket according to the actual situation. It is recommended to use screws to fix the product on the ground.



Wall Installation (The wall hanger can be used as a reference If additional purchase it)

1. If you purchase the wall bracket, you can fix the product screen on the wall.
2. When installing the product, first you need to make a horizontal mark on the wall and mark the hole position, and then fix the wall bracket on the wall. It should be noted that when lifting the product, two people should lift and place it on the rack at the same time.



Schematic diagram of wall bracket accessories

Screen Running

Voltage information: make sure your screen is working at the **correct voltage**, depending on the area.

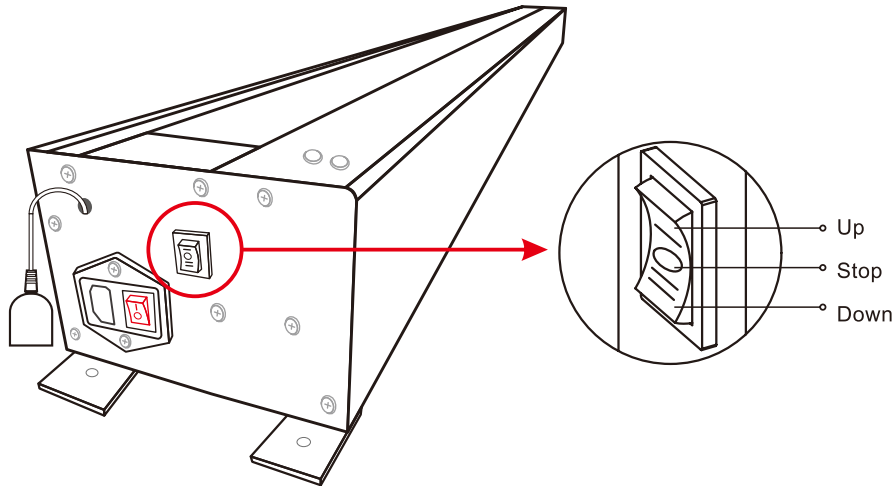
(Using the wrong voltage may cause the screen to become inoperable)

- (1) Plug the screen power cord into the correct power outlet.
- (2) When the product power is turned on, a "beep" sound will be emitted for 1.5 seconds, indicating that the product has been powered on.
- (3) When the screen is fully raised, you can choose to turn off the power switch and unplug the power cord due to long-term viewing. At this time, the screen will remain open and will not be closed due to power off. To turn off the screen, connect the power cord and turn on the switch to resume operation.
- (4) When the left power switch is powered on, you can use any of the methods described below to run the screen.

Note: when the screen is raised, make sure there is no obstacle and enough space on the top of the screen, and do not put your head on the top of the screen to avoid personal injury and product failure.

1. Manual Switch

The left side of the screen shell is equipped with a manual switch which can control the screen "Up / Stop / Down".

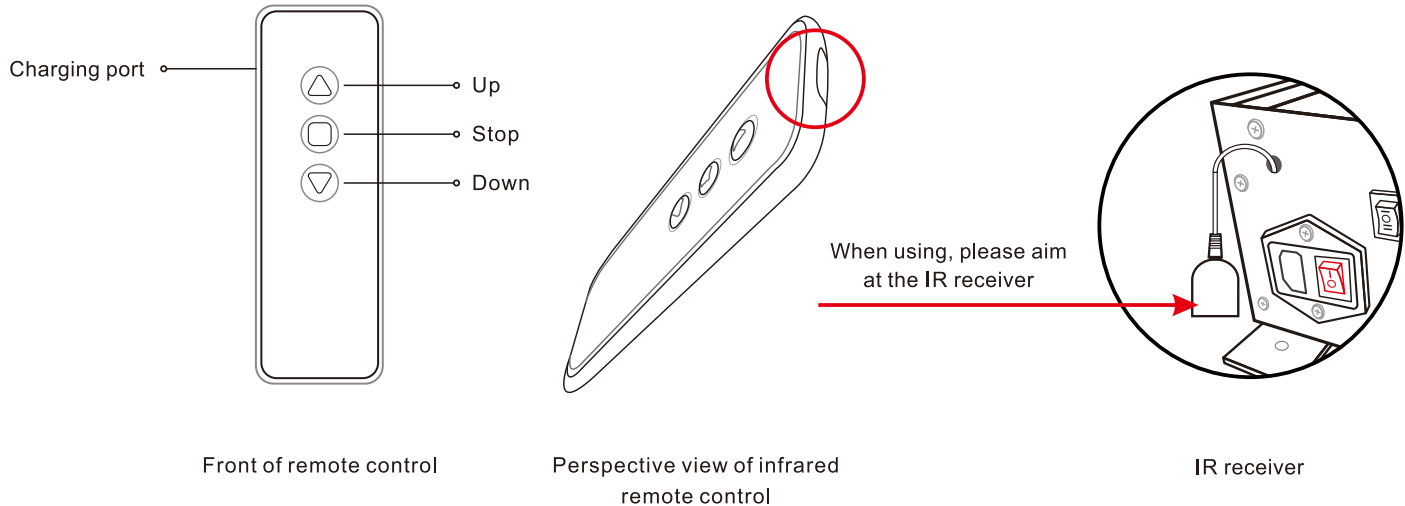


Position of manual switch

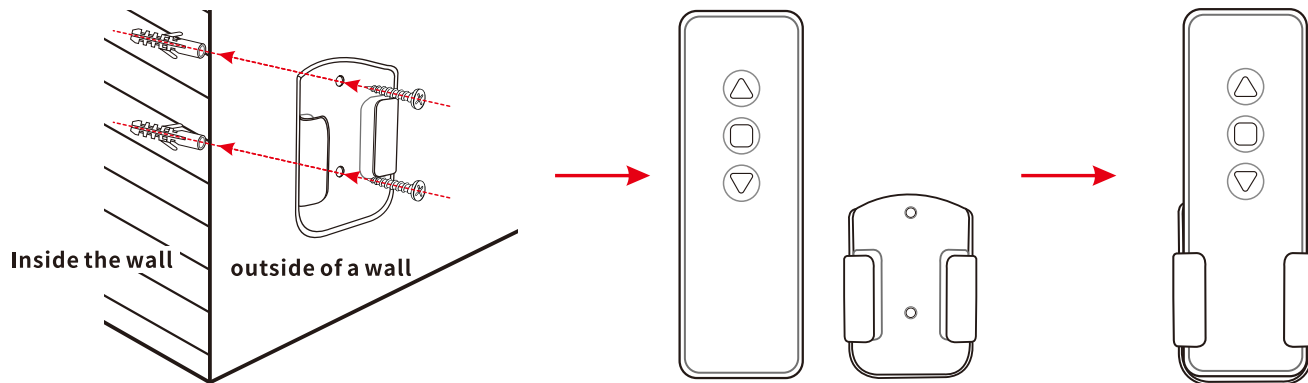
2.Remote control——RF remote control / IR remote control

(1) Wireless RF remote control: when the screen is hidden and installed in the slot or requires remote control, wireless remote control can be used. It can control the screen without aiming at the IR receiver.

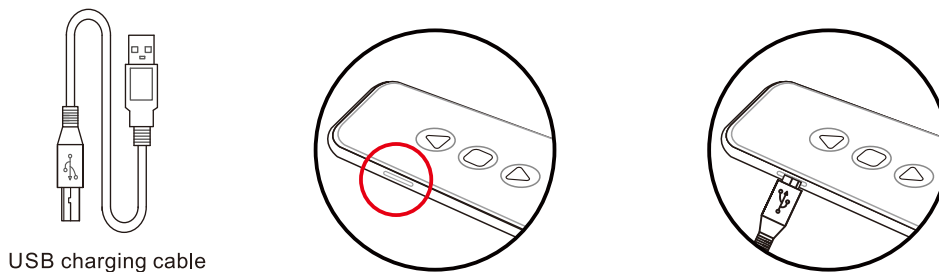
(2) IR remote control needs to be connected with the IR receiver. When using IR remote control, make sure that the power switch is turned on and aligned with the IR receiver head, so that the IR remote control can operate normally.**(Unlike the wireless remote control, the back of the infrared remote control is black, and there is an infrared signal lamp on the top)**



For convenient access, the remote controller can be fixed on the wall surface and other planes through the bracket. (wall screw or double-sided adhesive tape can be used for fixation)



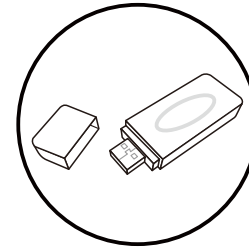
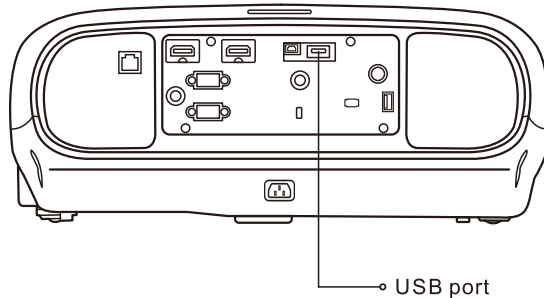
When the remote control needs charging, plug the USB charging cable into the jack on the left of the remote control, and connect the other end with the charging plug. When charging, the red light of the remote control is on for charging. For convenience, you can use it when charging the remote control.



USB charging cable

4. Wireless USB projector trigger (USB dongle)

Insert the wireless USB trigger into the projector USB port. When the projector is turned on, the screen opens synchronously. When you turn off the projector, the screen will close and close synchronously.



Trigger

Please note:

1. Wireless USB projector trigger is not compatible with all brands of projectors. If there is no reaction or abnormal reaction after installation, it belongs to incompatibility and is not a trigger problem.
2. When the screen is fully opened, the screen will rebound downward, and the screen will automatically adjust to the best state to ensure that the curtain is in the best tension state when it is raised to the appropriate position. (do not pull the curtain manually)

Screen hight limit setting

Black border down

(The highest position of the screen has been set when leaving the factory, no higher height can be adjusted)

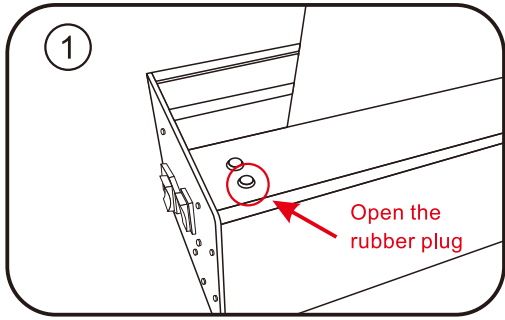
If the screen is too high, follow the steps below to fix the screen to the desired position.

1. Please make sure the product is powered on.
2. As shown in the figure, open the small rubber cover on the lower left of the cover.
3. Insert the debugging rod into the Yellow adjusting hole in the housing, and then slowly rotate it clockwise for several turns (**rotate one circle and adjust the screen height about 2cm**). After each rotation, press the "down" switch, and then press the "up" switch. At this time, the screen will first rise and then drop, and finally stop at a position lower than the factory setting. Please check whether the height is appropriate.

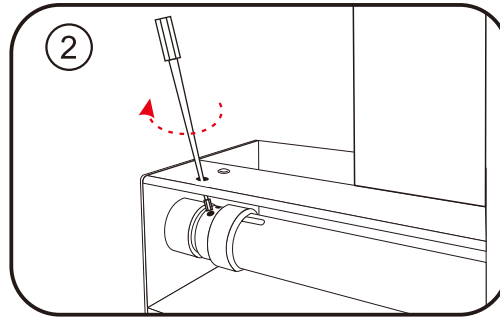
If you can't find the hole location, You can find the hole position with the light source standing behind the screen.

If the height is still very high, please repeat the above operation to adjust to the appropriate position.

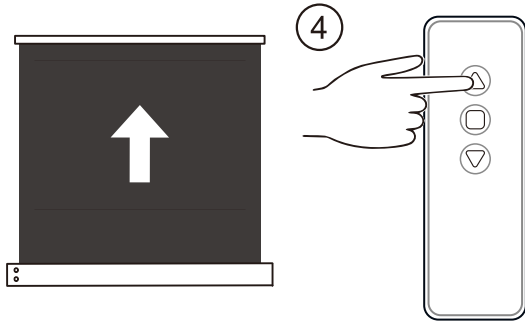
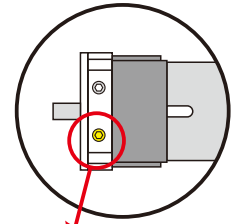
(Please refer to the legend on the right)



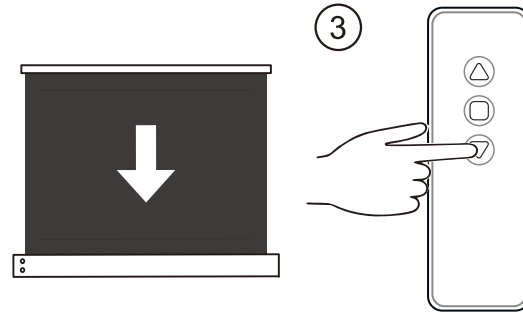
Open the rubber plug under the left side of the cover



Insert the adjusting rod into the Yellow hole in the housing and rotate clockwise
(rotate one circle and adjust the screen height about 2cm)



Then press the "up" switch to raise the screen to the appropriate position, Finally, the screen stops a little lower than the factory setting



First press the "down" key to lower the screen

Black border up (Only applicable after the black border is adjusted too low)

If the height adjustment of the black border of the screen is too low, please follow the following steps:

(please note: it is not allowed to carry out this step directly without adjusting too low)

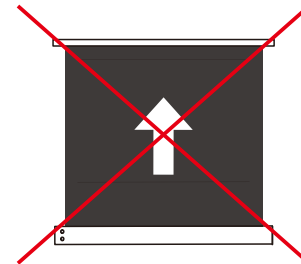
- (1) Please press the "up" button on the remote control, and the screen will rise to the highest point.
- (2) Insert the debugging rod into the adjusting hole on the lower left side of the housing, and then rotate it several times in a counter clockwise direction(rotate one circle and adjust the screen height about 2cm). Then press the "up" key, the screen will rise to the adjusted height, that is, stop operation. Please pay attention to control the height, do not exceed the original highest point, do not rotate too much, otherwise the screen will reverse and cause screen damage.(Please refer to the legend on the right)

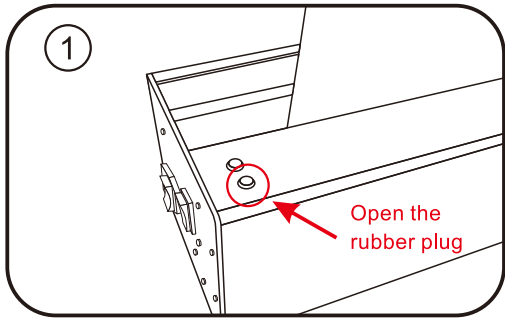
If the adjustment is too high, please repeat the previous steps to adjust to the appropriate position.

Notice:

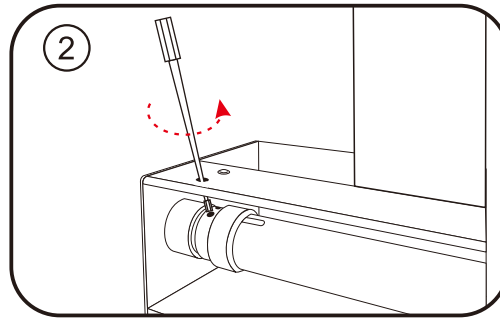
The highest position of the screen has been set at the factory, no higher height can be adjusted.

Do not adjust too low or too high at one time. We suggest that you adjust the screen a little bit.

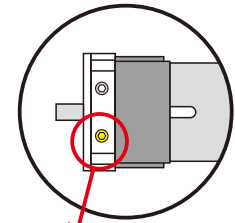




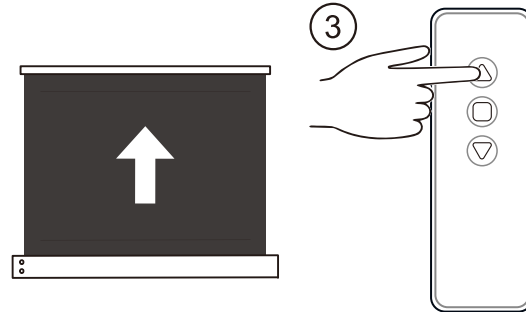
Open the rubber plug under the left side of the cover



Insert the adjusting rod into the Yellow hole in the housing and Counter clockwise rotation
(rotate one circle and adjust the screen height about 2cm)



Only applicable after the black border is adjusted too low!



Then press the "up" key, the screen will rise to the adjusted height, that is, stop operation.

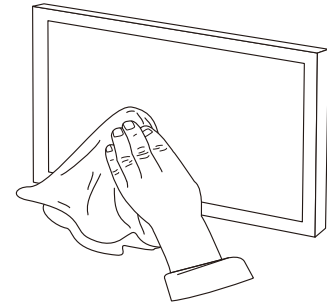
Screen maintenance

Cleaning requirements:

- 1.It can be cleaned with soft water;
- 2.Please use a clean cotton cloth or soft dust brush to remove dust particles on the screen.

Warning!

- Do not scribble on the screen.
- Do not touch the screen directly by hand.
- Do not touch the screen with hard or sharp objects.
- Do not clean the screen persistently or vigorously, so as to avoid screen scratch.
- Be sure to turn off the screen when you are not using the product.
- This product is not waterproof, only suitable for indoor use, not recommended for outdoor use.
- Avoid sharp objects directly contacting the screen surface, so as to avoid puncturing or scratching the screen surface.
- Do not use acetone, benzene, alcohol and other organic solvents to clean the screen, which will cause permanent damage to the screen.
- Do not run the screen up and down for more than 3 minutes, otherwise the screen will stop running. This is the phenomenon of motor overheating protection shutdown. Please wait 20-30 minutes for the motor to cool down before continuing operation.
- To avoid possible injury, do not attempt to remove the screen. If there are obvious damaged parts, please contact your authorized dealer.



Manufacturer's warranty

1.VIVIDSTORM products have a 2-year warranty. During the warranty period, in case of any problems caused by the product itself or the product defects caused by the design, Please contact the after-sales service to inform the situation.

During the warranty period, if the product fails to work normally due to user negligence (not product material or design defects, etc.), not eligible for a warranty, for serious damage to the product should charge that fee according to the product damage.

After the warranty period expires, all repairs or replacements are charges the fee, and users will get a quote for the repair fee. Only after the user agrees and accepts the maintenance cost can the maintenance service be started.

2.Within one week after the user receives the product, if there are obvious serious defects in the product, the user shall provide video or photo proof, and provide the corresponding certificate and warranty card to our after-sales service personnel. After confirmation, the user can return the product and reship a new product. The user needs to ensure that the returned product is in good condition kept in their original status., free from any physical damage and that the packaging is complete. We will handle the returned or exchanged products within 7 days (excluding public holidays).

3.The motors in all products sold by our company enjoy a five-year warranty. It is necessary to ensure that the motor is complete and has not been tampered with.

4.The company provides corresponding after-sales technical support services for the products sold, and guarantees customer service response within 24 hours. (except holidays)

5.Within one week after the customer receives the product, due to the special packaging size of the product, it is recommended to save the carton in order to solve the packaging problem of return and replacement.

6.It should be noted that the product damage caused by the following factors not caused by the company, the damage caused by other human factors and natural disasters are not included in the warranty scope of the company:

The product is damaged due to incorrect installation of the product;

(1) Product voltage mismatch;

(2) The user does not operate according to the product manual, resulting in improper use and product damage;

(3) Repair or modify the product without authorization of the company;

(4) Failure to provide proper working environment;

(5) Product damage caused by user's secondary transportation;

(6) This product is damaged in natural disasters and accidents. Natural disasters and accidents include flood, fire and human factors. The above guarantee has the same legal effect for each user. Due to the change of country or region, other rights may only apply to specific customers.

Certificate

Product Name: _____ Product Model No : _____
Factory serial No: _____ Inspector: _____
Date of production: _____

The product has been tested and inspected after operation, and all the tests and inspections have been in accordance with the technical requirements, and its quality meets the specified requirements. Only after passing the inspection can they be allowed to leave the factory.

Product Warranty Card

User information

Customer retention sheet

Customer name: _____ Customer telephone: _____
Postcode: _____ Customer's address: _____
E-Mail: _____ Purchasing channels: _____

Purchase date: _____ Date of production: _____
Invoice number : _____ Warranty content: _____
Customer signature: _____ After sale: _____
Date: _____ Satisfied or not satisfied

Official website of the company: <http://www.vividstormscreens.com>

Consultation email: vividstormscreen@gamil.com



For Your Dream Picture